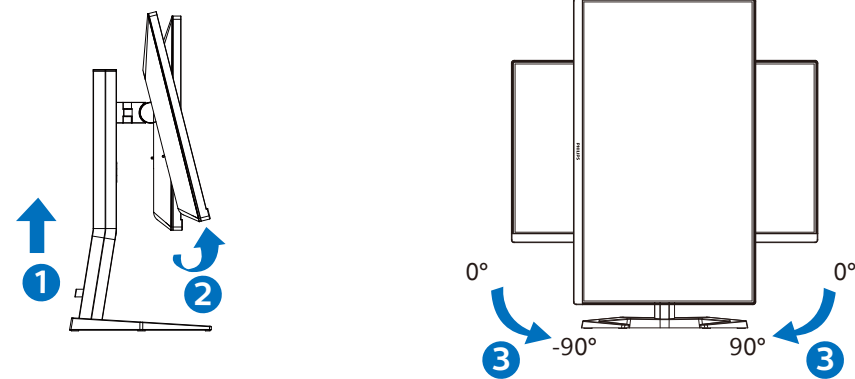
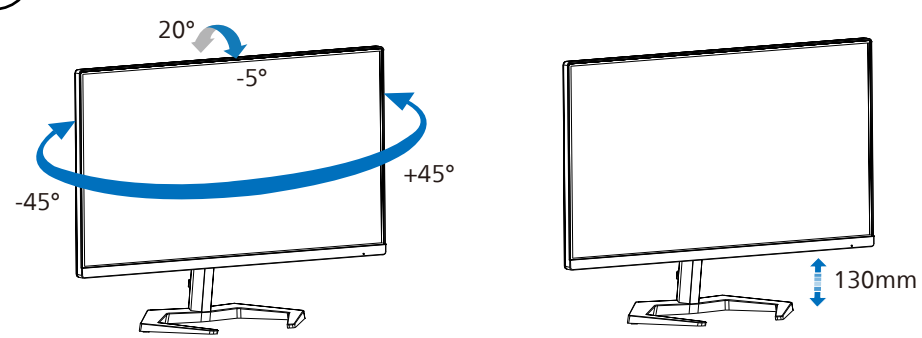
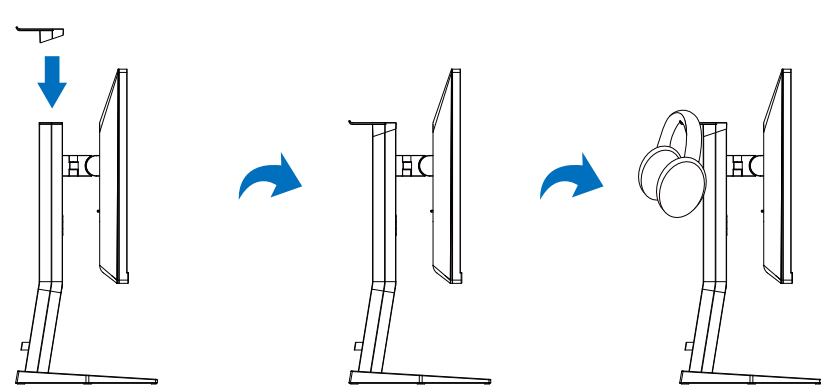


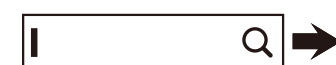
4



### Earphone-Hang



Register your product and get support at [www.philips.com/support](http://www.philips.com/support)



Version: 27M1N5200Q1T  
2021 © TOP Victory Investments Ltd. All rights reserved.

This product has been manufactured by and is sold under the responsibility of Top Victory Investments Ltd., and Top Victory Investments Ltd. is the warrantor in relation to this product. Philips and the Philips Shield Emblem are registered trademarks of Koninklijke Philips N.V. and are used under license.

Specifications are subject to change without notice.

### HDMI

The terms HDMI, HDMI High-Definition Multimedia Interface, HDMI Trade Dress and the HDMI Logos are trademarks or registered trademarks of HDMI Licensing Administrator, Inc.

[www.evnia.philips](http://www.evnia.philips)

Energy Labelling

27M1N5200PA



Printed in China



F41G27M181342D----

EVNIA

# Quick start

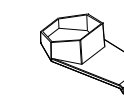
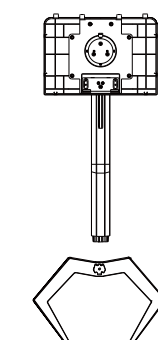
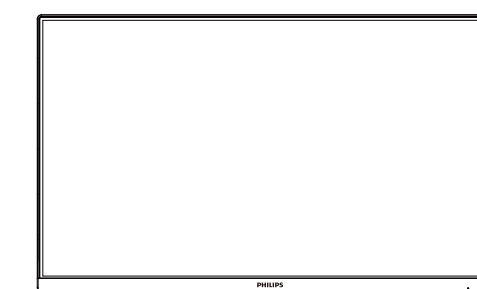


27M1N5200P  
27M1N5200PA

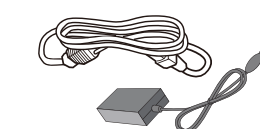
Register your product and get support at [www.philips.com/welcome](http://www.philips.com/welcome)

**PHILIPS**

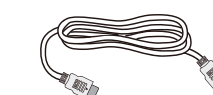
## Contents



\* Earphone-Hang



AC/DC Adapter



\*HDMI



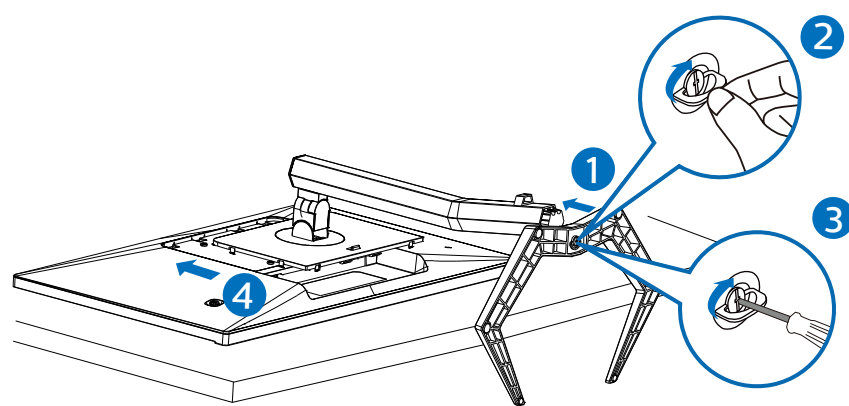
\*DP



\* USB A-B

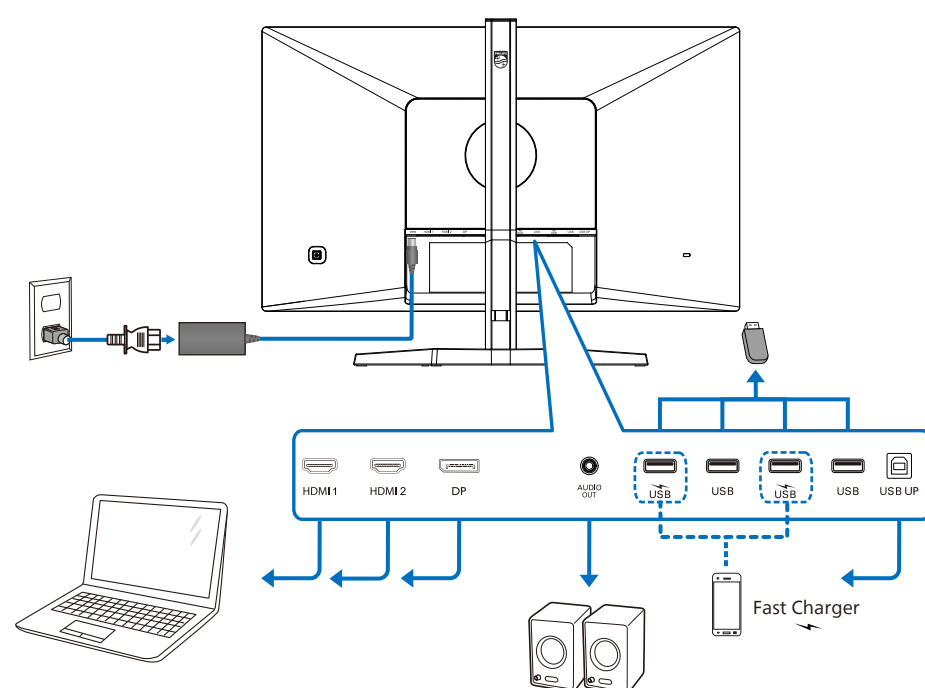
\*Different according to region  
Display design may differ from that illustrated

1

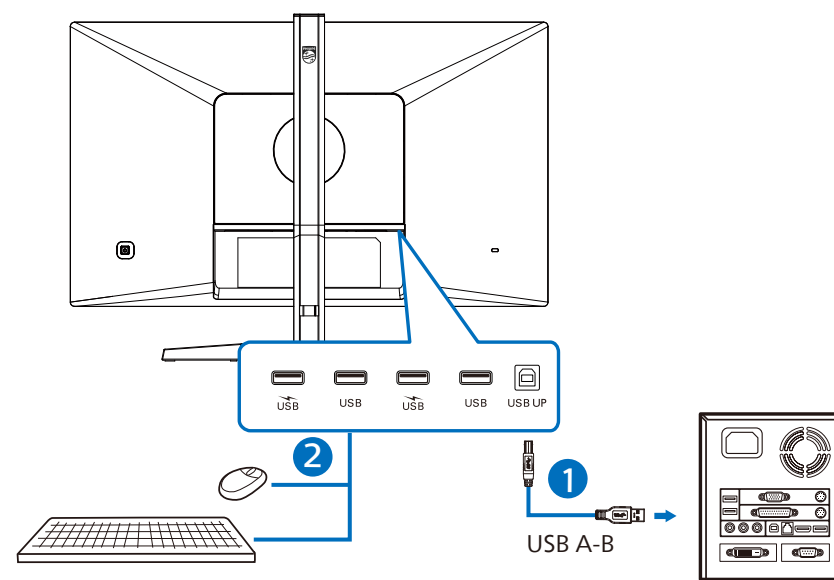


⚠ CAUTION: Place the monitor face down on a smooth surface. Pay attention not to scratch or damage the screen.

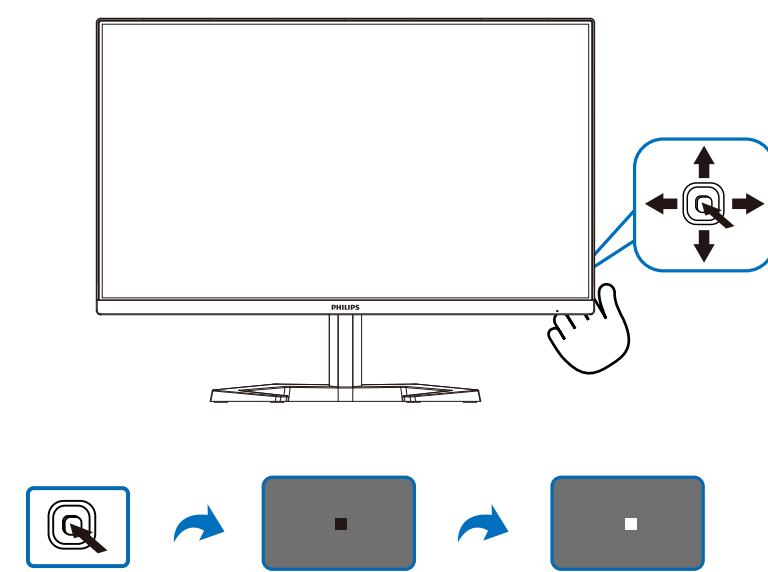
2



### USB hub



3



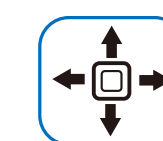
|              |               |     |
|--------------|---------------|-----|
| Game Setting | Adaptive Sync | On  |
|              | MPRT          | Off |
| LowBlue Mode | MPRT Level    | 0   |
|              | Crosshair     | Off |
| Input        | Low Input Lag | On  |
|              | SmartResponse | Off |
| Picture      | SmartFrame    | Off |
| SmartSize    |               |     |
| Audio        |               |     |



|              |               |     |
|--------------|---------------|-----|
| Game Setting | Adaptive Sync | On  |
|              | MPRT          | Off |
| LowBlue Mode | MPRT Level    | 0   |
|              | Crosshair     | Off |
| Input        | Low Input Lag | On  |
|              | SmartResponse | Off |
| Picture      | SmartFrame    | Off |
| SmartSize    |               |     |
| Audio        |               |     |



|                 |             |             |
|-----------------|-------------|-------------|
| SmartImage™     | SmartImage™ | Input       |
| FPS             | HDR Game    | 1 HDMI 2.0  |
| Racing          | HDR Movie   | 2 HDMI 2.0  |
| RTS             | HDR Photo   | DisplayPort |
| Gamer 1         | Personal    |             |
| Gamer 2         | Off         |             |
| LowBlue Mode    |             |             |
| EasyRead        |             |             |
| SmartUniformity |             |             |
| Off             |             |             |



|              |               |     |
|--------------|---------------|-----|
| Game Setting | Adaptive Sync | On  |
|              | MPRT          | Off |
| LowBlue Mode | MPRT Level    | 0   |
|              | Crosshair     | Off |
| Input        | Low Input Lag | On  |
|              | SmartResponse | Off |
| Picture      | SmartFrame    | Off |
| SmartSize    |               |     |
| Audio        |               |     |



|              |               |     |
|--------------|---------------|-----|
| Game Setting | Adaptive Sync | On  |
|              | MPRT          | Off |
| LowBlue Mode | MPRT Level    | 0   |
|              | Crosshair     | Off |
| Input        | Low Input Lag | On  |
|              | SmartResponse | Off |
| Picture      | SmartFrame    | Off |
| SmartSize    |               |     |
| Audio        |               |     |



|              |               |     |
|--------------|---------------|-----|
| Game Setting | Adaptive Sync | On  |
|              | MPRT          | Off |
| LowBlue Mode | MPRT Level    | 0   |
|              | Crosshair     | Off |
| Input        | Low Input Lag | On  |
|              | SmartResponse | Off |
| Picture      | SmartFrame    | Off |
| SmartSize    |               |     |
| Audio        |               |     |